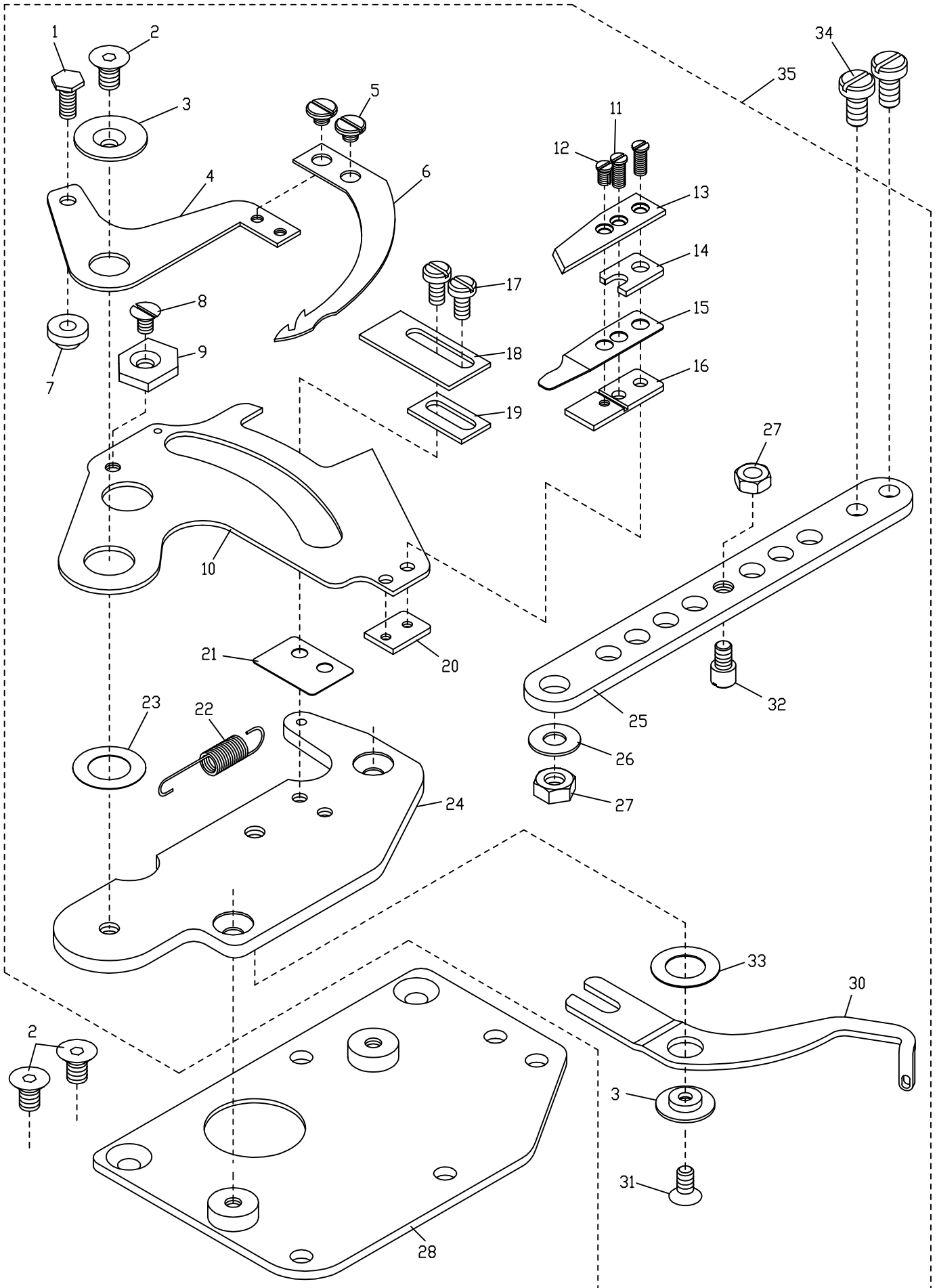


1. UTD/UTD02/UTD03/UTD04/UTD05/UTD07/UTD07B/UTD07F/UTD07BF/UTE
 UTE02/UTE07/UTE07F/PA 下切線機構 Under Trimmer Components

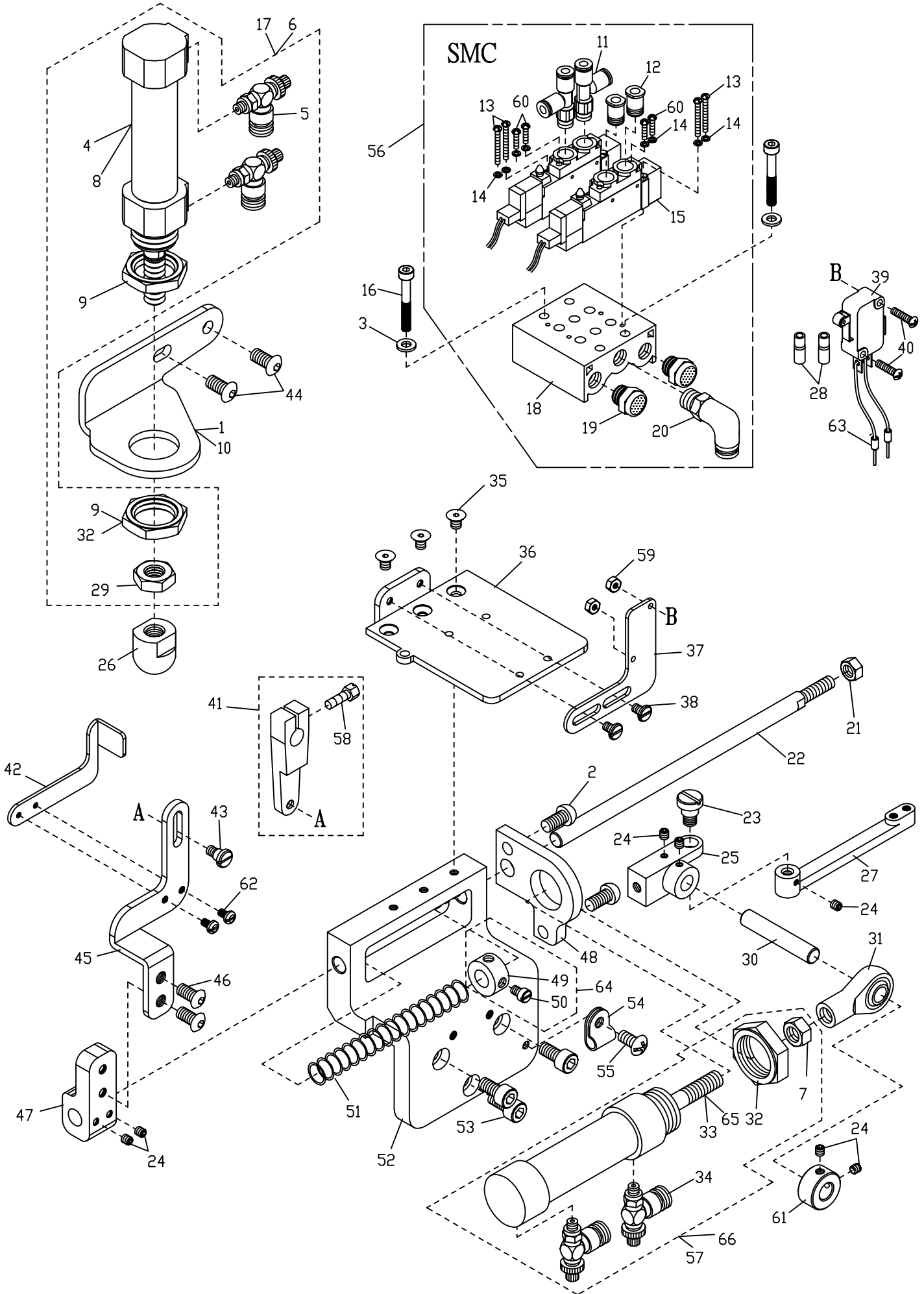


1.UTD/UTD02/UTD03/UTD04/UTD05/UTD07/UTD07B/UTD07F/UTD07BF/UTE
 UTE02/UTE07/UTE07F/PA 下切線機構 Under Trimmer Components

序號 Ref. No.	物料編號 Parts No.	名稱 Description	單位用量 Amt.Req.
1	4UTD000101	螺絲 Screw -----	1
2	8MQ04280808A	螺絲 Screw (UTB1-01-09 M4-0.7*8) -----	3
3	4UTD000103	調整隔環 Adjusting Ring -----	2
4	4UTD000104	活動刀座 Lower Knife Carrier -----	1
5	8MB03200306A	螺絲 Screw (FT0208 M3-0.5*3) -----	2
6	4UTD000106	活動刀片 Lower Movable Knife -----	1
7	4UTD000107	隔環 Ring -----	1
8	8ME03200506A	螺絲 Screw (CT0341 M3-0.5*5) -----	1
9	4UTD000109	定位塊 Stop Plate -----	1
10	4UTD000110	固定刀座 Lower Knife Holder -----	1
11	4UTD000111	螺絲 Screw -----	2
12	4UTD000112	螺絲 Screw -----	1
13	4UTD000113	固定刀片 Lower Fixed Knife -----	1
14	4UTD000114	上刀墊片 Upper Knife Carrier -----	1
15	4UTD000115	簧片 Clamp Spring -----	1
16	4UTD0001161	簧壓調整片 Clamp Spring Adjusting Piece -----	1
17	8MB03200506K	螺絲 Screw (CT1351 M3-0.5*5) -----	2
18	4UTD000118	上刀定位塊 Upper Knife Carrier Stop -----	1
19	4UTD000119	定位塊 Carrier Stop -----	1
20	4UTD000120	墊片 Clamp Spring Pressure Holder -----	1
21	4UTD000121	定位墊片 Stop Washer -----	2
22	4UTD000122	彈簧 Spring -----	1
23	4UTD000123	墊片 Space Washer -----	1
24	4UTD000124	切線驅動座 Trimming Device Basement -----	1
25	4UTD0001251	連結桿 Connecting Rod -----	1
26	2100000223	墊片 Washer -----	1
27	8MA04280307A	螺帽 Nut (CT0238 M4-0.7*3) -----	2
28	4UTD0001281	封蓋 Oil filter Cover -----	1
29	-----	-----	-
30	4UTD010130	鬆線板 Release Wedge-----	1
31	8MQ04280608A	螺絲 Screw (UTB1-01-07 M4-0.7*6) -----	1
32	8MB04280606A	螺絲 Screw (M4-0.7*6) -----	1
33	4UTD000133	墊片 Washer -----	1
34	8MB04280807K	螺絲 Screw (CT0215 M4-0.7*8) -----	2
35	4UTD00A0124	下切線組 Under Trimmer Components -----	1

UTD / UTE : 用於 FT6500 機型
 UTD02 / UTE02 : 用於 FT7000 機型
 UTD03 : 用於 FT7000 含 MN003 機型
 UTD04 : 用於 FT7060 機型
 UTD05 : 用於 FT7060 含 MN003 機型
 UTD07 / UTE07 : 用於 FTD7000 機型
 UTD07B : 用於 FTD7060 機型
 UTD07BF : 用於 FTU7060 機型
 UTD07F/UTE07F : 用於 FTU7000 機型

2. UTD07/UTD07B/UTD07F/UTD07BF/UTD08/UTD08B/UTD08F/UTD07BF 空壓組件 Compressed Air Components



2. UTD07/UTD07B/UTD07F/UTD07BF/UTD08/UTB08B/UTB08F/UTB08BF

空壓組件 Compressed Air Components

序號 Ref. No.	物料編號 Parts No.	名 Description	稱	單位用量 Amt.Req.
1	4UTB030216	固定座 Bracker		1
2	8MP06401211A	螺絲 Screw (UTB0302 M6-1*12)		2
3	90SW040	彈簧墊圈 Spring Washer		2
4	4UTB030223	氣壓缸 Cylinder		1
5	4UTB000305	節流閥 Speed Controller		2
*6	4UTB02FA0217	氣壓缸組 Cylinder Asm		1
7	8MA08500613A	螺帽 Nut (RP10208 M8-1.25*6)		1
*8	4UTB02F0223	氣壓缸 Cylinder		1
*9	8MA22600630A	螺帽 Nut (M22-1.5*6)		2
*10	4UTB02F0216	固定座 Bracker		1
11	4UTB010311S	空氣管接頭 Connector		2
12	4UTB010312S	空氣管接頭 Connector		2
13	4UTB010313S	螺絲 Screw		4
14	4UTB010314S	彈簧墊圈 Spring Washer		8
15	4UTB010315S	換向閥 Electromagnetic Valve		2
16	8MM04283007B	螺絲 Screw (UTB01-03-16 M4-0.7*30)		2
17	4UTB03A0217	氣壓缸組 Cylinder Asm		1
18	4UTB010318S	換向閥座 Electromagnetic Valve Base		1
19	4UTG010319S	消音器 Silencer		2
20	4UTB020266S	空氣管接頭 Elbow Connector		1
21	8MA08500513A	螺帽 Nut (FTC10126 M8-1.25*5)		1
22	4UTD000222	軸 Shaft		1
23	4UTD000223	螺樁 Stud		1
24	8MN04280400A	螺絲 Screw (CT0229 M4-0.7*4)		-
25	4UTD000225	承座 Plunger		1
26	4PFE010113	套管 Clutch Sleeve		1
27	4UTD000227I	連結桿 Connecting Rod		-
28	4UTB020228	絕緣套管 Bushing		2
29	8MA10600617A	螺帽 Nut		1
30	4UTB000325I	軸 Shaft		1
31	4UTD000231	球軸連桿 Plunger Connecting Rod		1
32	8MA22600627A	螺帽 Nut		2
33	4UTD000233	氣壓缸 Cylinder		-
34	4UTB000344	節流閥 Speed Controller		2
35	8MQ04280808A	螺絲 Screw (UTB0109 M4-0.7*8)		3
36	4UTB0003322	基板 Base		1
37	4UTD000237	安全開關座 Safety Switch Bracket		1
38	8MB04280507K	螺絲 Screw (FT0235 M4-0.7*5)		2
39	4UTB000336	安全開關 Safety Switch		1
40	8MC03201606D	螺絲 Screw (UTB03351 M3-0.5*16)		2
41	4UTB010337	曲柄 Tension Release Lever		1
42	4UTD000242	支架 Holder Bracket		1
43	8MB04280908G	螺樁 Stud (UTB0339 M4-0.7*8)		1
44	8MP06401211A	螺絲 Screw (UTB0302 M6-1*12)		2
45	4UTD000245	連桿 Connecting Plate		1
46	8MP05320810A	螺絲 Screw (STB0117 M5-0.8*8)		2
47	4UTD000247	連結塊 Connecting Block		1
48	4UTD000248	氣缸座 Cylinder Barcket		1
49	4UTB010245	定位環 Collar		1
50	8MC95300606F	螺絲 Screw (CT0823 M4.5-0.75*5)		1
51	4UTB000346	彈簧 Spring		1
52	4UTD000252	空壓組件座 Trimming Cylinder Support		1
53	8MM06401210A	螺絲 Screw (FT1103 M6-1*12)		3
54	4UTD000254	線夾 Cord Clamp		1
55	8MC04280807D	螺絲 Screw (CT0130 M4-0.7*8)		1
56	4UTB01A03491S	換向閥組 Electromagnetic Valve Asm.		1
57	4UTD01A0257	氣壓缸組 Cyliner Asm		-
58	8MK95301407A	螺絲 Screw (CT0837 M4.5-0.75*14)		1
59	8MA03200306A	螺帽 Nut (FTB0111 M3-0.5*3)		2
60	4UTB010362S	螺絲 Screw		4
61	4UTB010152	定位環 Collar		1
62	8MB03200506K	螺絲 Screw (CT0525 M3-0.5*5)		2
63	4UTB020272	公端子 Power cord		2
64	4UTB01A0255	定位環組 Collar Asm		1
65	4UTD060278	氣壓缸 Cylinder		-
66	4UTD06A0279	氣壓缸組 Cyliner Asm		-

* For UTD07F / UTD07BF 用

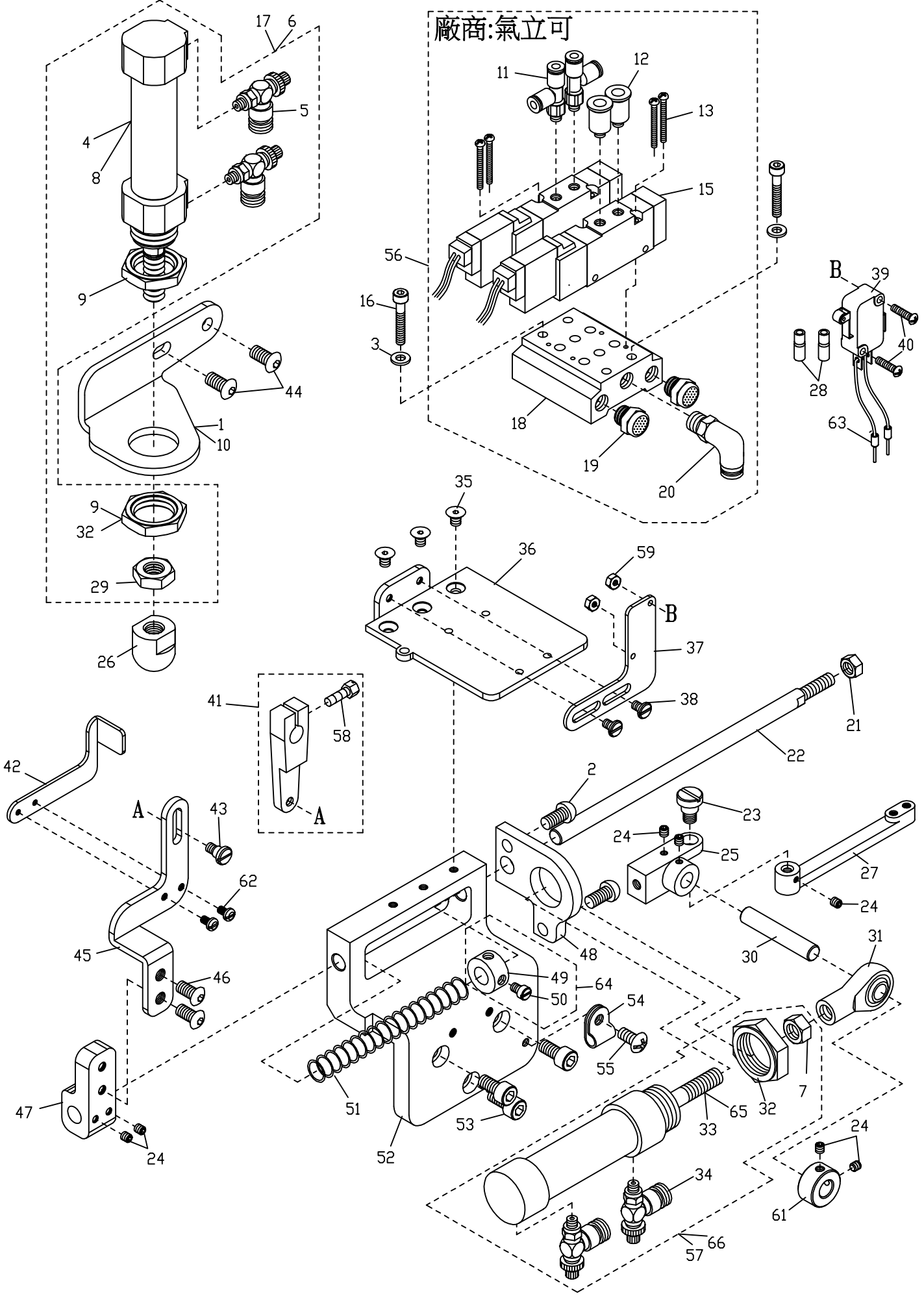
機型 Model UTD07 / UTD07B / UTD07F / UTD07BF

序號 Ref.No.	24	27	33	57
用量 Req.	7	1	1	1

機型 Model UTD08 / UTD08B / UTD08F / UTD08BF

序號 Ref.No.	24	27	65	66
用量 Req.	6	-	1	1

3. UTD07C / UTD07BC / UTD07FC / UTD07BFC / UTD08C / UTD08BC
 UTD08FC / UTD08BFC 空壓組件 Compressed Air Components



3. UTD07C/UTD07BC/UTD07FC/UTD07BFC/UTD08C/UTD08BC/UTD08FC/UTD08BFC

空壓組件 Compressed Air Components

序號 Ref. No.	物料編號 Parts No.	名 Description	稱	單位用量 Amt. Req.
1	4UTB030216	固定座 Bracker		1
2	8MP06401211A	螺絲 Screw (UTB0302 M6-1*12)		2
3	90SW040	彈簧墊圈 Spring Washer		2
4	4UTB030223	氣壓缸 Cylinder		1
5	4UTB000305	節流閥 Speed Controller		2
*6	4UTB02FA0217	氣壓缸組 Cylinder Asm		1
7	8MA08500613A	螺帽 Nut (RP10208 M8-1.25*6)		1
*8	4UTB02F0223	氣壓缸 Cylinder		1
*9	8MA22600630A	螺帽 Nut (M22-1.5*6)		2
*10	4UTB02F0216	固定座 Bracker		1
11	4UTB0103111	空氣管接頭 Connector		2
12	4UTB0103121	空氣管接頭 Connector		2
13	4UTB0103131	螺絲 Screw (UTB0313 M2.5*0.45*25)		4
14				-
15	4UTB0103151	換向閥 Electromagnetic Valve		2
16	8MM04282507B	螺絲 Screw (FT0719 M4-0.7*25)		2
17	4UTB03A0217	氣壓缸組 Cylinder Asm		1
18	4UTB0103181	換向閥座 Electromagnetic Valve Base		1
19	4UTG010319	消音器 Silencer		2
20	4UTB0202661	空氣管接頭 Elbow Connector		1
21	8MA08500513A	螺帽 Nut (FTC10126 M8-1.25*5)		1
22	4UTD000222	軸 Shaft		1
23	4UTD000223	螺樁 Stud		1
24	8MN04280400A	螺絲 Screw (CT0229 M4-0.7*4)		-
25	4UTD000225	承座 Plunger		1
26	4PFE010113	套管 Clutch Sleeve		1
27	4UTD0002271	連結桿 Connecting Rod		-
28	4UTB020228	絕緣套管 Bushing		2
29	8MA10600617A	螺帽 Nut		1
30	4UTB0003251	軸 Shaft		1
31	4UTD000231	球軸連桿 Plunger Connecting Rod		1
32	8MA22600627A	螺帽 Nut		2
33	4UTD000233	氣壓缸 Cylinder		-
34	4UTB000344	節流閥 Speed Controller		2
35	8MQ04280808A	螺絲 Screw (UTB0109 M4-0.7*8)		3
36	4UTB0003322	基板 Base		1
37	4UTD000237	安全開關座 Safety Switch Bracket		1
38	8MB04280507K	螺絲 Screw (FT0235 M4-0.7*5)		2
39	4UTB000336	安全開關 Safety Switch		1
40	8MC03201606D	螺絲 Screw (UTB03351 M3-0.5*16)		2
41	4UTB010337	曲柄 Tension Release Lever		1
42	4UTD000242	支架 Holder Bracket		1
43	8MB04280908G	螺樁 Stud (UTB0339 M4-0.7*8)		1
44	8MP06401211A	螺絲 Screw (UTB0302 M6-1*12)		2
45	4UTD000245	連桿 Connecting Plate		1
46	8MP05320810A	螺絲 Screw (STB0117 M5-0.8*8)		2
47	4UTD000247	連結塊 Connecting Block		1
48	4UTD000248	氣缸座 Cylinder Barcket		1
49	4UTB010245	定位環 Collar		1
50	8MC95300606F	螺絲 Screw (CT0823 M4.5-0.75*5)		1
51	4UTB000346	彈簧 Spring		1
52	4UTD000252	空壓組件座 Trimming Cylinder Support		1
53	8MM06401210A	螺絲 Screw (FT1103 M6-1*12)		3
54	4UTD000254	線夾 Cord Clamp		1
55	8MC04280807D	螺絲 Screw (CT0130 M4-0.7*8)		1
56	4UTB01A03492	換向閥組 Electromagnetic Valve Asm.		1
57	4UTD01A0257	氣壓缸組 Cyliner Asm		-
58	8MK95301407A	螺絲 Screw (CT0837 M4.5-0.75*14)		1
59	8MA03200306A	螺帽 Nut (FTB0111 M3-0.5*3)		2
60				-
61	4UTB010152	定位環 Collar		1
62	8MB03200506K	螺絲 Screw (CT0525 M3-0.5*5)		2
63	4UTB020272	公端子 Power cord		2
64	4UTB01A0255	定位環組 Collar Asm		1
65	4UTD060278	氣壓缸 Cylinder		-
66	4UTD06A0279	氣壓缸組 Cyliner Asm		-

* For UTD07FC / UTD07BFC 用

機型 Model UTD07C / UTD07BC / UTD07FC / UTD07BFC

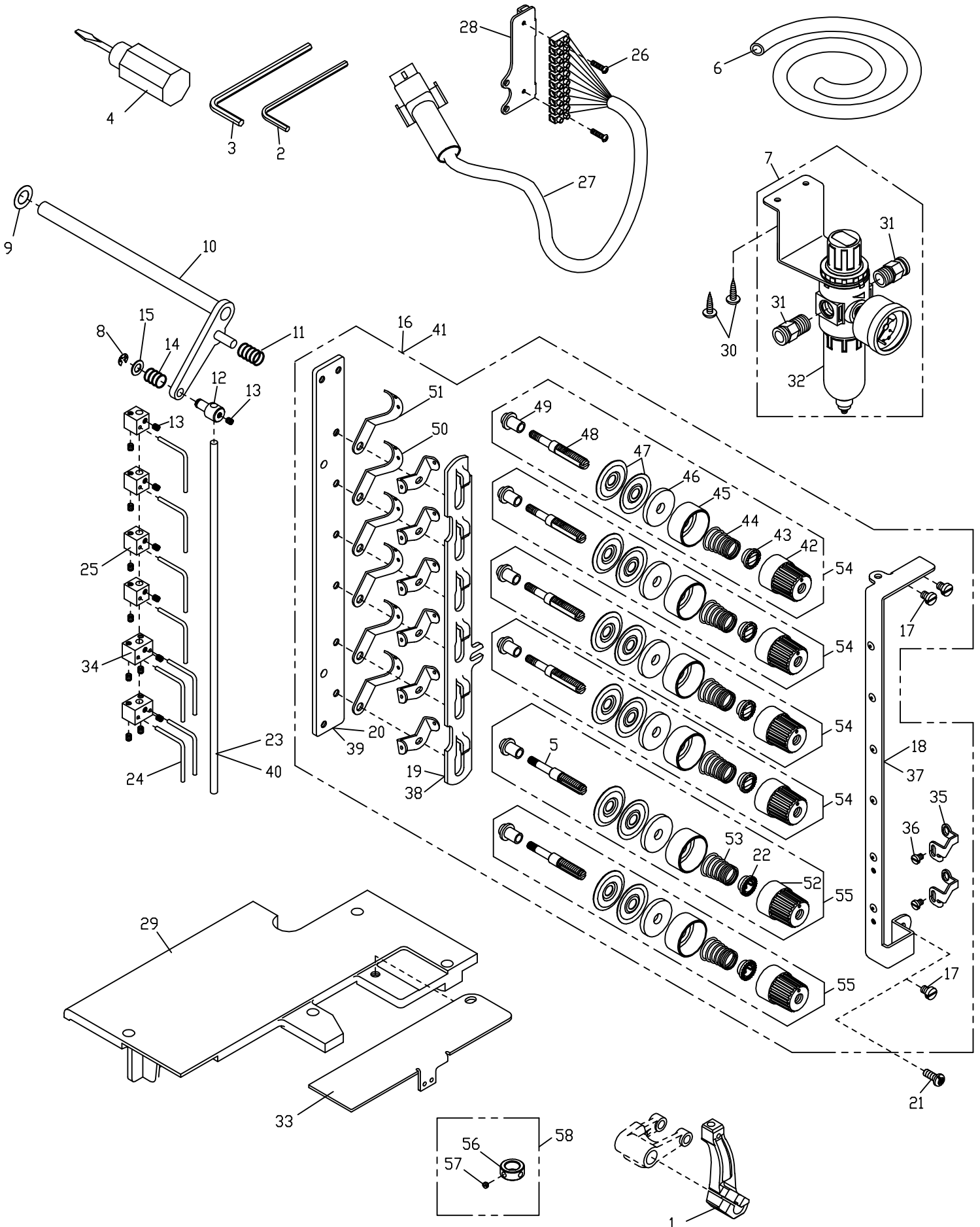
序號 Ref.No.	24	27	33	57
用量 Req.	7	1	1	1

機型 Model UTD08C / UTD08BC / UTD08FC / UTD08BFC

序號 Ref.No.	24	27	65	66
用量 Req.	6	-	1	1

4. UTD07 / UTD07B / UTD07F / UTD07BF

鬆線機構及更換零件 Thread Tension Components And Motor Components



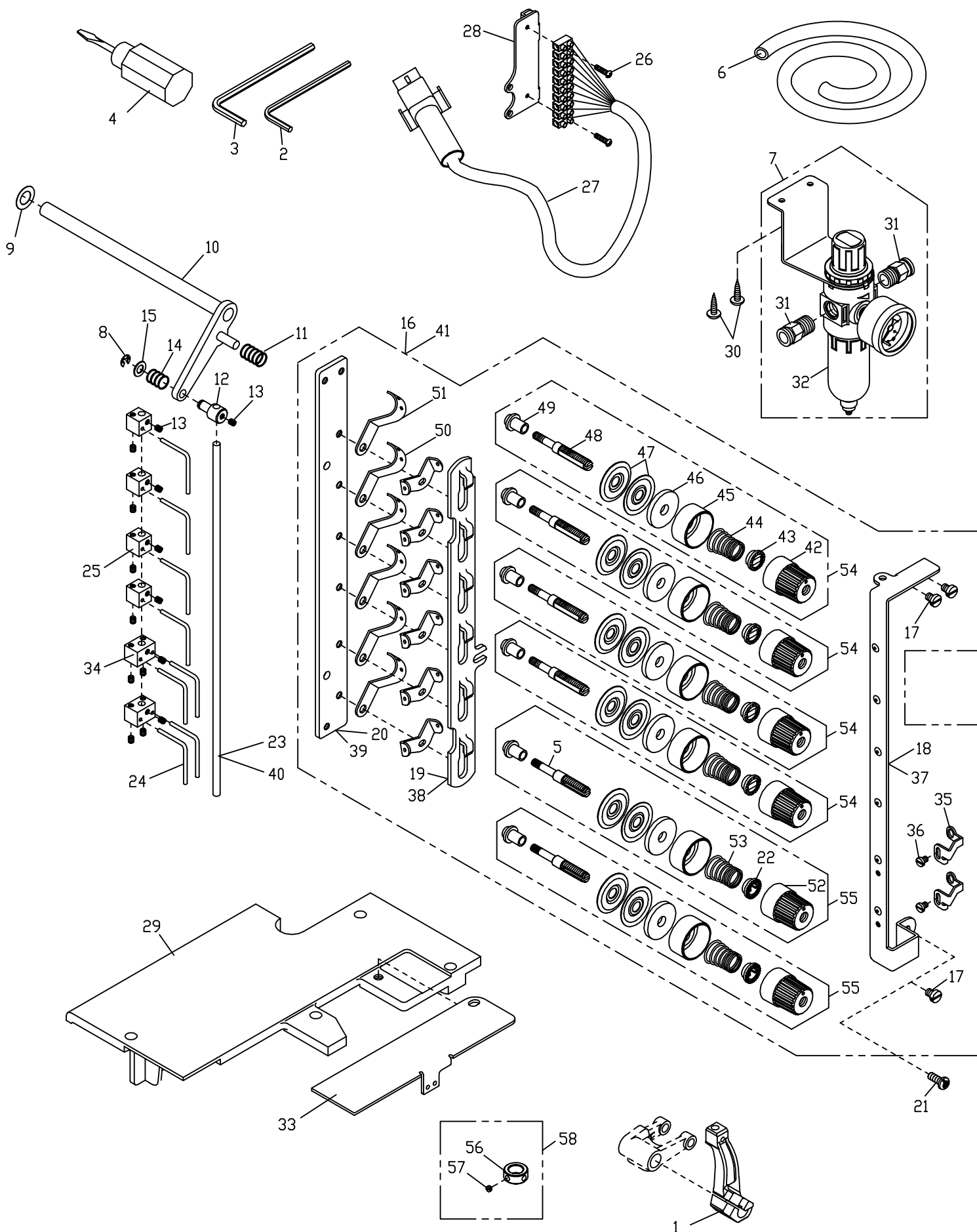
4. UTD07 / UTD07B / UTD07F / UTD07BF

鬆線機構及更換零件 Thread Tension Components And Motor Components

序號 Ref. No.	物料編號 Parts No.	名稱 Description	單位用量 Amt. Req.
1	4UTD0003511	擺動臂 Rocker Arm -----	1
2	66635	六角板手 Allen Key 2MM -----	1
3	66640	六角板手 Allen Key 2.5MM -----	1
4	66668	平口起子 Screwdriver -----	1
5	22000003611	螺樁 Stud -----	-
*6	4UTB010430	空氣管 Air Tube -----	1
*7	4UTB00A04582	調壓濾水閥組 Regulator Asm.-----	1
8	90ER030	E形扣環 E Ring -----	1
9	4UTB010459	墊圈 Washer -----	1
10	4UTB000410	曲柄 Tension Release Shaft -----	1
11	4UTB000411	彈簧 Spring -----	1
12	4UTB000412	接頭 Pin -----	1
13	8MN03200300A	螺絲 Screw (CT0115 M3-0.5*3) (see the table) -----	-
14	4UTB000414	彈簧 Spring -----	1
15	2200001025	墊圈 Washer -----	1
16	4UTB02A0349	鬆線組 Theard Tension Mechanism -----	1
17	8MB04280507K	螺絲 Screw (FT0235 M4-0.7*5) -----	-
18	4UTB000418	導線 Thread Guide Eyelet -----	1
19	4UTB000419	鬆線滑板 Release Wedge -----	1
20	4UTB000420	導線座 Tension Post Support -----	1
21	8MC04281007D	螺絲 Screw (CT0113 M4-0.7*10) -----	-
22	2100001122	止滑齒輪 Bush -----	-
23	4UTB000423	導桿 Guide Bar -----	1
24	4UTB000424	鬆線桿 Release Bar (see the table) -----	-
25	4UTB000425	鬆線座 Thread Pull-off Block (see the table) -----	-
26	8MC03201006D	螺絲 Screw (UTB0426 M3-0.5*10) -----	2
27	4UTB000427	換向閥用控制線 Terminal Holder -----	1
28	4UTD000328	端子座固定架 Terminal Holder Support-----	1
29	4UTD0003291	封蓋 Rear Cover -----	1
*30	8WD30000015B	木螺絲 Wood Screw -----	2
*31	4UTB010456	8mm空氣管接頭 Connector -----	2
*32	4UTB0004321	調壓濾水閥 Regulator -----	1
33	4UTD0003091	防塵蓋 Dust Cover -----	1
34	4UTB000434	鬆線座 Thread Pull-off Block (see the table) -----	-
35	4UTB000435	導線 Thread Guide Eyelet -----	2
36	8MB03200306X	螺絲 Screw (UTB0436 M3-0.5*3) -----	2
37	4UTB040318	導線 Thread Guide Eyelet -----	1
38	4UTB040319	鬆線滑板 Release Wedge -----	1
39	4UTB040320	導線座 Tension Post Support -----	1
40	4UTB040323	導桿 Guide Bar -----	1
41	4UTB04A0349	鬆線組 Theard Tension Mechanism -----	1

4. UTD07 / UTD07B / UTD07F / UTD07BF

鬆線機構及更換零件 Thread Tension Components And Motor Components



4. UTD07 / UTD07B / UTD07F / UTD07BF

鬆線機構及更換零件 Thread Tension Components And Motor Components

序號 Ref. No.	物料編號 Parts No.	名稱 Description	單位用量 Amt. Req.
42	2100001121	張力調整螺帽 Tension Nut (Red) (SH1121) (see the table) -----	-
43	2200000303	套管 Bushing (see the table) -----	-
44	2100001123	彈簧 Spring (Red) (SH1123) (see the table) -----	-
45	2200000305	彈簧座 Spring Seat (see the table) -----	-
46	2100001127	羊毛氈 Felt (see the table) -----	-
47	2100001126	張力控制盤 Tension Disc (see the table) -----	-
48	22000003081	螺樁 Stud (see the table) -----	-
49	22000003091	隔環 Spacer (see the table) -----	-
50	2200000311	導線 Thread Guide (see the table) -----	-
51	2200000312	導線 Thread Guide (see the table) -----	-
52	2100001121A	張力調整螺帽 Tension Nut (Yellow) (SH1121) (see the table) -----	-
53	2100041131	彈簧 Spring (Yellow) (SH1131) (see the table) -----	-
54	231A0001922	張力控制組 Tension Asm. (Red) (see the table) -----	-
55	220A0000315	張力控制組 Tension Asm. (Yellow) (see the table) -----	-
56	2200000812	限動環 Stop Collar -----	1
57	8MH85240300A	螺絲 Screw (CT0813 M3.5-0.6*3) -----	2
58	220A0000839	定位環組 Collar Asm.-----	1
59	-----	-----	-
60	-----	-----	-

機型 Model UTD07 / UTD07F

針數 Number of needle\ 序號 Ref. No.	13	24	25	34	5	16	17	18	19	20	21	22	23	42
2 Needle without Spreader	8pcs.	4pcs.	2pcs.	1pcs.	2	1	2	1	1	1	1	2	1	3
3 Needle without Spreader	10pcs.	5pcs.	3pcs.	1pcs.										
2 Needle with Spreader	11pcs.	6pcs.	2pcs.	2pcs.										
3 Needle with Spreader	13pcs.	7pcs.	3pcs.	2pcs.										

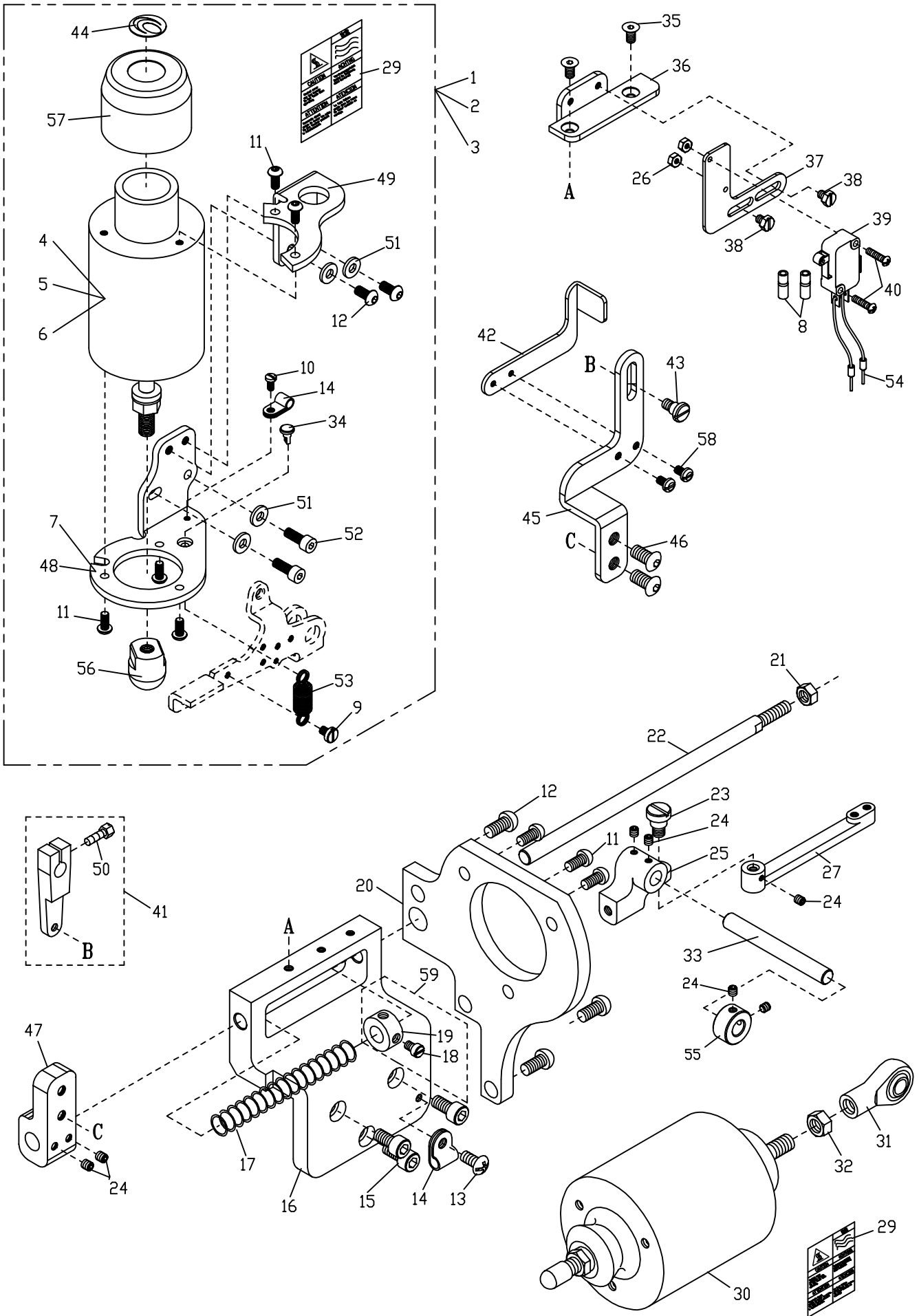
針數 Number of needle\ 序號 Ref. No.	43	44	45	46	47	48	49	50	51	52	53	54	55
2 Needle without Spreader	3	5	5	5	10	3	5	5	5	2	2	3	2
3 Needle without Spreader													
2 Needle with Spreader													
3 Needle with Spreader													

機型 Model UTD07B / UTD07BF (4針6線 4 Needle 6 Thread)

針數 Number of needle\ 序號 Ref. No.	5	13	17	22	24	25	34	37	38	39	40	41	42
4 Needle without Spreader	2	12pcs.	3	2	6pcs.	4pcs.	1pcs.	1	1	1	1	1	4
4 Needle with Spreader		15pcs.			8pcs.	4pcs.	2pcs.						

針數 Number of needle\ 序號 Ref. No.	43	44	45	46	47	48	49	50	51	52	53	54	55
4 Needle without Spreader	4	6	6	6	12	4	6	6	6	2	2	4	2
4 Needle with Spreader													

5. UTE07 / UTE07F / UTE08 / UTE08F 電控式組件 Electric Type Components



5. UTE07 / UTE07F / UTE08 / UTE08F 電控式組件 Electric Type Components

序號 Ref. No.	物料編號 Parts No.	名 稱 Description	單位用量 Amt.Req.
*1	PFE2P	壓腳提昇組 Presser Foot Lifter,C.Set	1
2	PFE02	壓腳提昇組 Presser Foot Lifter,C.Set	1
◎3	PFE2F	壓腳提昇組 Presser Foot Lifter,C.Set	1
◎4	4PFE2F0118	磁力線圈 Presser Foot Lifter Solenoid	1
5	4PFE010101	磁力線圈 Presser Foot Lifter Solenoid	1
*6	4PFE1P0121	磁力線圈 Presser Foot Lifter Solenoid	1
◎7	4PFE2F0119	磁力線圈固定座 Bracker	1
8	4UTB020228	絕緣套管 Bushing	2
9	8MB05320710G	螺絲 Screw (PFE020116 M5-0.8*7)	1
10	8MC04280807A	螺絲 Screw (CT0120 M4-0.7*8)	1
11	8MP05321210A	螺絲 Screw (UTB0340 M6-1*11.5)	8
12	8MP06401211A	螺絲 Screw (UTB0302 M6-1*12)	5
13	8MC04280807D	螺絲 Screw (CT0130 M4-0.7*8)	2
14	4UTD000254	線夾 Cord Clamp	2
15	8MM06401210A	螺絲 Screw (FT1103 M6-1*12)	3
16	4UTD000252	空壓組件座 Trimming Cylinder Support	1
17	4UTC000112	彈簧 Spring	1
18	8MC95300606F	螺絲 Screw (CT0823 M4.5-0.75*5)	1
19	4UTB010245	定位環 Collar	1
20	4UTE0001201	磁力線圈座 Solenoid Barcket	1
21	8MA08500513A	螺帽 Nut (FTC10126 M8-1.25*5)	1
22	4UTD000222	軸 Shaft	1
23	4UTD000223	螺樁 Stud	1
24	8MN04280400A	螺絲 Screw (CT0229 M4-0.7*4)	-
25	4UTE000125	承座 Plunger	1
26	8MA03200306A	螺帽 Nut (FTB0111 M3-0.5*3)	2
27	4UTD0002271	連結桿 Connecting Rod	-
28			-
29	4UTC000139	貼紙 Paster	2
30	4UTC0001301	磁力線圈 Solenoid	1
31	4UTB010326	球軸連桿 Plunger Connecting Rod	1
32	8MA08500613A	螺帽 Nut (RP10208 M8-1.25*6)	1
33	4UTC0001251	軸 Shaft	1
34	4PFE020102	接頭 Joint	1
35	8MQ04280808A	螺絲 Screw (UTB0109 M4-0.7*6)	2
36	4UTC000132	基板 Base	1
37	4UTD000237	安全開關座 safety Switch Bracket	1
38	8MK04280507A	螺絲 Screw (WPV0106 M4-0.7*5)	2
39	4UTB000336	安全開關 Safety Switch	1
40	8MC03201606D	螺絲 Screw (UTB03351 M3-0.5*16)	2
41	4UTB010337	曲柄 Tension Release Lever	1
42	4UTD000242	支架 Holder Bracket	1
43	8MB04280908G	螺樁 Stud (UTB0339 M4-0.7*8)	1
44	66480-11	銘板 Plate	1
45	4UTD000245	連桿 Connecting Plate	1
46	8MP05320810A	螺絲 Screw (STB0117 M5-0.8*8)	2
47	4UTD000247	連結塊 Connecting Block	1
48	4PFE020103	磁力線圈固定座 Bracker	1
49	4PFE020104	固定座 Bracker	1
50	8MK95301407A	螺絲 Screw (CT0837 M4.5-0.75*14)	1
51	2100000323	墊圈 Washer (SH0323)	4
52	8MM06401610A	螺絲 Screw (CT0625 M6-1*16)	2
53	4PFE010106	彈簧 Spring	1
54	4UTB020272	公端子 Power cord	2
55	4UTB010152	定位環 Collar	1
56	4PFE010113	套管 Clutch Sleeve	1
57	4PFE010119	護蓋 Cover	1
58	8MB03200506K	螺絲 Screw (CT0525 M3-0.5*5)	2
59	4UTB01A0255	定位環組 Collar Asm.	1

* 配合RP使用

◎ For UTE07F 用

機型 Model UTE07 / UTE07F

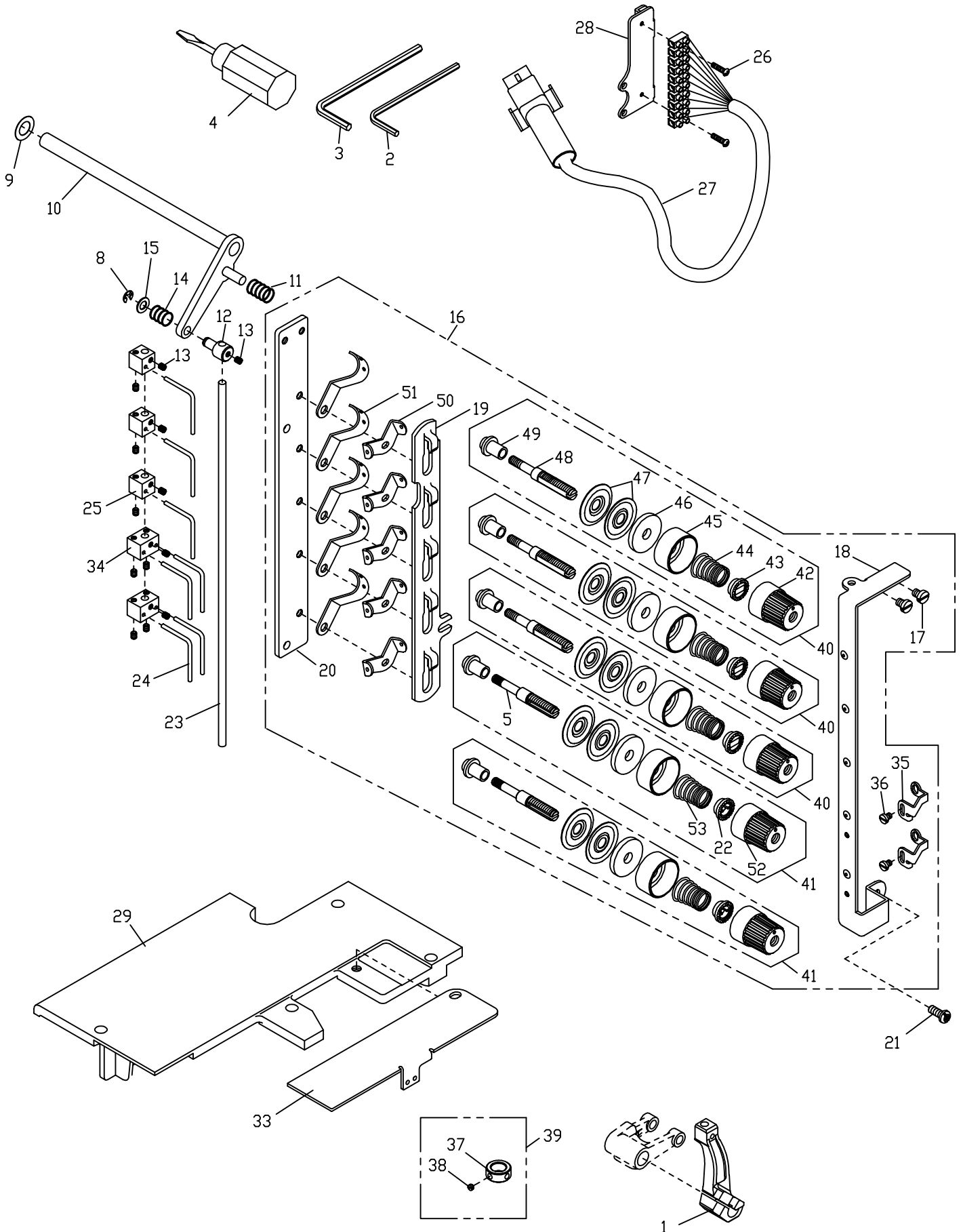
序號 Ref.No.	24	27
用量 Req.	7	1

機型 Model UTE08 / UTE08F

序號 Ref.No.	24	27
用量 Req.	6	-

6. UTE07 / UTE07F

鬆線機構及更換零件 Thread Tension Components And Motor Components



6. UTE07 / UTE07F

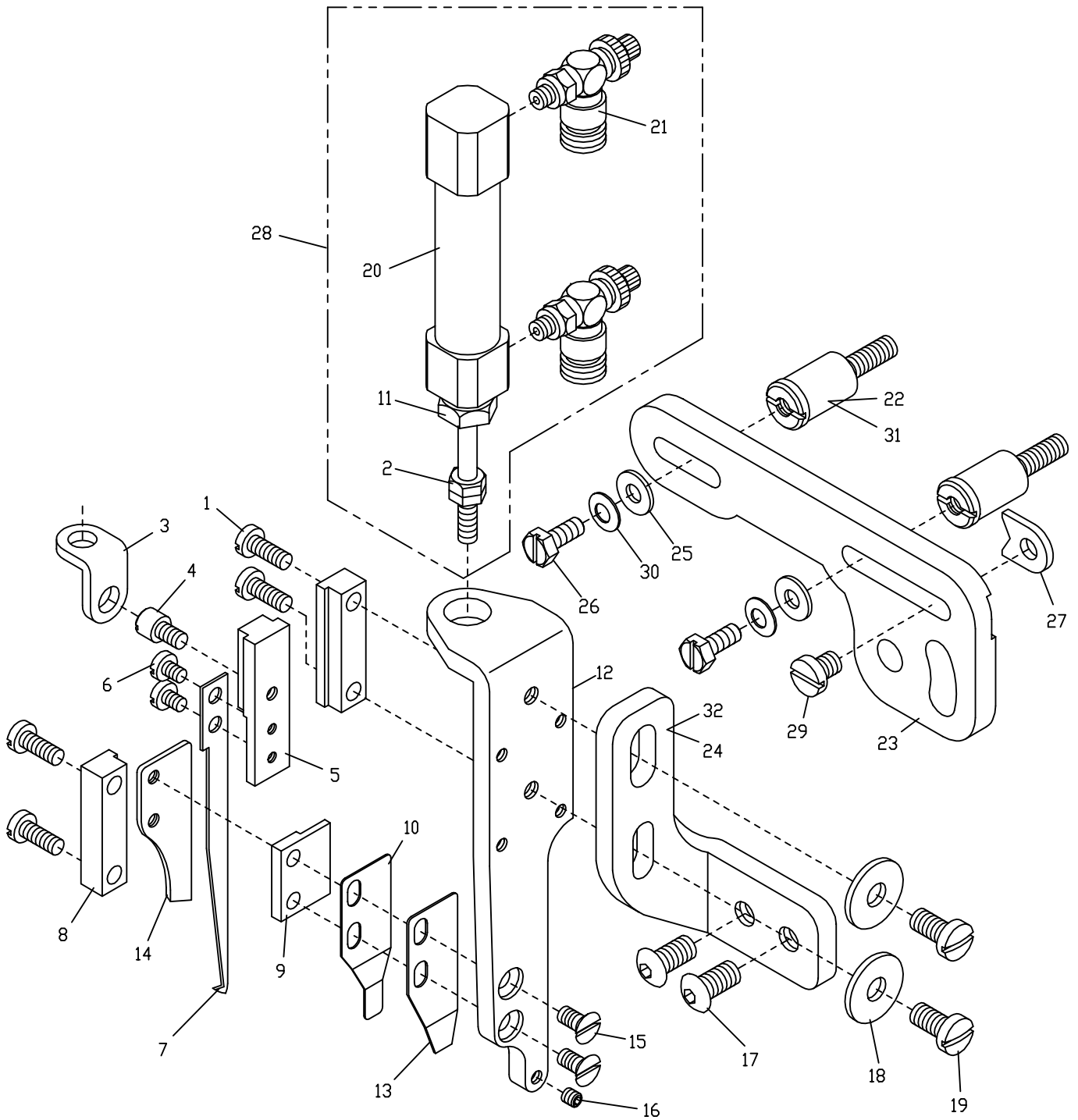
鬆線機構及更換零件 Thread Tension Components And Motor Components

序號 Ref. No.	物料編號 Parts No.	名稱 Description	單位 Amt.	用量 Req.
1	4UTD0003511	擺動臂 Rocker Arm	-----	1
2	66635	六角板手 Allen Key 2MM	-----	1
3	66640	六角板手 Allen Key 2.5MM	-----	1
4	66668	平口起子 Screwdriver	-----	1
5	22000003611	螺樁 Stud	-----	2
6	-----	-----	-----	-
7	-----	-----	-----	-
8	90ER030	E 形扣環 E Ring	-----	1
9	4UTB010459	墊圈 Washer	-----	1
10	4UTB000410	曲柄 Tension Release Shaft	-----	1
11	4UTB000411	彈簧 Spring	-----	1
12	4UTB000412	接頭 Pin	-----	1
13	8MN03200300A	螺絲 Screw (CT0115 M3-0.5*3) (see the table)	-----	-
14	4UTB000414	彈簧 Spring	-----	1
15	2200001025	墊圈 Washer	-----	1
16	4UTB02A0349	鬆線組 Theard Tension Mechanism	-----	1
17	8MB04280507K	螺絲 Screw (FT0235 M4-0.7*5)	-----	2
18	4UTB000418	導線 Thread Guide Eyelet	-----	1
19	4UTB000419	鬆線滑板 Release Wedge	-----	1
20	4UTB000420	導線座 Tension Post Support	-----	1
21	8MC04281007D	螺絲 Screw (CT0113 M4-0.7*10)	-----	1
22	2100001122	止滑齒輪 Bush	-----	2
23	4UTB000423	導桿 Guide Bar	-----	1
24	4UTB000424	鬆線桿 Release Bar (see the table)	-----	-
25	4UTB000425	鬆線座 Thread Pull-off Block (see the table)	-----	-
26	8MC03201006D	螺絲 Screw (UTB0426 M3-0.5*10)	-----	2
27	4UTB000427	換向閥用控制線 Terminal Holder	-----	1
28	4UTD000328	端子座固定架 Terminal Holder Support	-----	1
29	4UTD0003291	封蓋 Rear Cover	-----	1
30	-----	-----	-----	-
31	-----	-----	-----	-
32	-----	-----	-----	-
33	4UTD0003091	防塵蓋 Dust Cover	-----	1
34	4UTB000434	鬆線座 Thread Pull-off Block (see the table)	-----	-
35	4UTB000435	導線 Thread Guide Eyelet	-----	2
36	8MB03200306X	螺絲 Screw (UTB0436 M3-0.5*3)	-----	2
37	2200000812	限動環 Stop Collar	-----	1
38	8MH85240300A	螺絲 Screw (CT0813 M3.5-0.6*3)	-----	2
39	220A0000839	定位環組 Collar Asm.	-----	1
40	231A0001922	張力控制組 Tension Asm. (Red) (see the table)	-----	3
41	220A0000315	張力控制組 Tension Asm. (Yellow) (see the table)	-----	2
42	2100001121	張力調整螺帽 Tension Nut (Red) (SH1121) (see the table)	-----	3
43	2200000303	套管 Bushing (see the table)	-----	3
44	2100001123	彈簧 Spring (Red) (SH1123) (see the table)	-----	3
45	2200000305	彈簧座 Spring Seat (see the table)	-----	5
46	2100001127	羊毛氈 Felt (see the table)	-----	5
47	2100001126	張力控制盤 Tension Disc (see the table)	-----	10
48	22000003081	螺樁 Stud (see the table)	-----	3
49	22000003091	隔環 Spacer (see the table)	-----	5
50	2200000311	導線 Thread Guide (see the table)	-----	5
51	2200000312	導線 Thread Guide (see the table)	-----	5
52	2100001121A	張力調整螺帽 Tension Nut (Yellow) (SH1121) (see the table)	-----	2
53	2100041131	彈簧 Spring (Yellow) (SH1131) (see the table)	-----	2

針數 Number of needle\序號 Ref. No.	13	24	25	34
2 Needle without Spreader	8pcs.	4pcs.	2pcs.	1pcs.
3 Needle without Spreader	10pcs.	5pcs.	3pcs.	1pcs.
2 Needle with Spreader	11pcs.	6pcs.	2pcs.	2pcs.
3 Needle with Spreader	13pcs.	7pcs.	3pcs.	2pcs.

7. STB02 / STB03 / STD / STD03 上切線機構

Spreader Thread Trimmer Components For STB02 / STB03 / STD / STD03



7. STB02 / STB03 / STD / STD03 上切線機構

Sprearer Thread Trimmer Components For STB02 / STB03 / STD / STD03

序號 Ref.No.	物料編號 Parts No.	名稱 Description	單位用量 Amt.Req.
1	8MB03200806K	螺絲 Screw (CT0623 M3-0.5*8)-----	4
2	8MA04280307A	螺帽 Nut (CT0238 M4-0.7*3)-----	2
3	4STB000103	接頭 Joint -----	1
4	8MB03200505A	螺椿 Stud (STB0104 M3-0.5*5)-----	1
5	4STB000105	活動刀座 Upper Movable Knife Base -----	1
6	8MB75180205A	螺絲 Screw (UTB0113 M2.5-0.45*3)-----	2
7	4STB000107	活動刀 Upper Movable Knife -----	1
8	4STB000108	滑道 Slide Block -----	2
9	4STB000109	滑道 Knife Guide -----	1
10	4STB000110	簧片 Thread Clamp Spring-----	1
11	8MA08400311A	螺帽 Nut (UTA0318)-----	1
12	4STB000112	氣缸座 Cylinder Holder -----	1
13	4STB000113	簧片 Knife Pressure Spring -----	1
14	4STB000114	固定刀片 Fixed Knife -----	1
15	8ME03200906A	螺絲 Screw (STB0115 M3-0.5*7)-----	2
16	8MN03200500A	螺絲 Screw (RP10331 M3-0.5*5)-----	1
17	8MP05320810A	螺絲 Screw (STB0117 M5-0.8*8)-----	2
18	2200000908	墊圈 Washer -----	2
19	8MC04280807A	螺絲 Screw (CT0120 M4-0.7*8)-----	2
20	4STB000120	氣壓缸 Cylinder-----	1
21	4STB000121	節流閥 Speed Controller -----	2
22	4STB020122	螺椿 Stud -----	-
23	4STB020123	支架 Knife Holder Bracket -----	1
24	4STB000124	支架 Knife Holder Bracket -----	-
25	2100000223	墊圈 Spring Washer -----	2
26	8MK04281007A	螺絲 Screw (FT0217 M4-0.7*10)-----	2
27	4STB020127	定位塊 Knock Block -----	1
28	4STB00A0127	氣壓缸組 Cylinder Asm.-----	1
29	8MB04280508A	螺絲 Screw (UTB20127 M4-0.7*5.5)-----	1
30	90DW040	碟形墊圈 Disk Washer -----	2
31	4STB030122	螺椿 Stud -----	-
32	4STD000124	支架 Knife Holder Bracket -----	-

STB02 (CT6500 / CT9000 / CT9711 機型用)

序號	22	24
用量	2	1

STB03 (CTD9000 / CTD9711 / CX2000 / CXD2000 / CXD2711 機型用)

序號	31	24
用量	2	1

STD (FT6500 / FT7000 機型用)

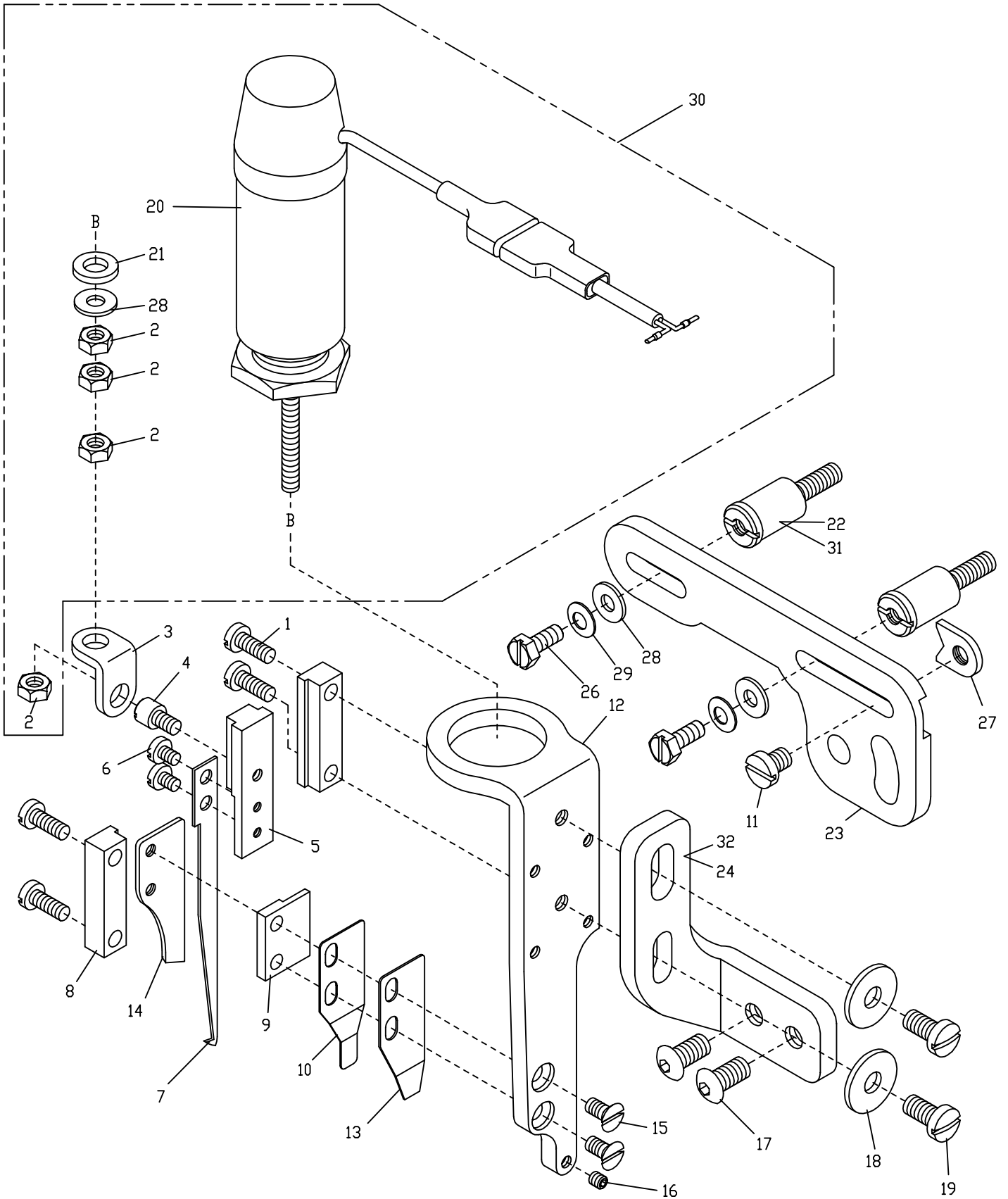
序號	22	32
用量	2	1

STD03 (FTD7000 機型用)

序號	31	32
用量	2	1

8. STC02 / STC03 / STE / STE03 上切線機構

Spreader Thread Trimmer Components For STC02 / STC03 / STE / STE03



8. STC02 / STC03 / STE / STE03 上切線機構

Sprearer Thread Trimmer Components For STC02 / STC03 / STE / STE03

序號 Ref. No.	物料編號 Parts No.	名稱 Description	單位用量 Amt. Req.
1	8MB03200806K	螺絲 Screw (CT0623 M3-0.5*8)-----	4
2	8MA04280207A	螺帽 Nut (STC020102 M4-0.7*2.5)-----	4
3	4STB000103	接頭 Joint -----	1
4	8MB03200505A	螺樁 Stud (STB0104 M3-0.5*5) -----	1
5	4STB000105	活動刀座 Upper Movable Knife Base -----	1
6	8MB75180205A	螺絲 Screw (UTB0113 M2.5-0.45*2)-----	2
7	4STB000107	活動刀片 Upper Movable Knife -----	1
8	4STB000108	滑道 Slide Block -----	2
9	4STB000109	滑道 Knife Guide -----	1
10	4STB000110	簧片 Thread Clamp Spring -----	1
11	8MB04280508A	螺絲 Screw (UTB20127 M4-0.7*5.5)-----	1
12	4STC0001121	磁力線圈座 Solenoid Bracket -----	1
13	4STB000113	簧片 Knife Pressure Spring -----	1
14	4STB000114	固定刀片 Fixed Knife -----	1
15	8ME03200906A	螺絲 Screw (STB0115 M3-0.5*7) -----	2
16	8MN03200500A	螺絲 Screw (RP10331 M3-0.5*5)-----	1
17	8MP05320810A	螺絲 Screw (STB0117 M5-0.8*8) -----	2
18	2200000908	墊圈 Washer -----	2
19	8MC04280807A	螺絲 Screw (CT0120 M4-0.7*8)-----	2
20	4STC0201201	磁力線圈 Solenoid -----	1
21	4STC000121	減震墊 Rubber Cushion -----	1
22	4STB020122	螺樁 Stud -----	-
23	4STB020123	支架 Knife Holder Bracket -----	1
24	4STB000124	支架 Knife Holder Bracket -----	-
25	-----	-----	-
26	8MK04281007A	螺絲 Screw (FT0217 M4-0.7*10) -----	2
27	4STB020127	定位塊 Knock Block -----	1
28	2100000223	墊圈 Spring Washer -----	3
29	90DW040	碟形墊圈 Disk Washer -----	2
30	4STC02A0130	磁力線圈組 Solenoid Asm. -----	1
31	4STB030122	螺樁 Stud -----	-
32	4STD000124	支架 Knife Holder Bracket -----	-

STC02 (CT6500 / CT9000 / CT9711 機型用)

序號	22	24
用量	2	1

STC03 (CTD9000 / CTD9711 / CX2000 / CXD2000 / CXD2711 機型用)

序號	31	24
用量	2	1

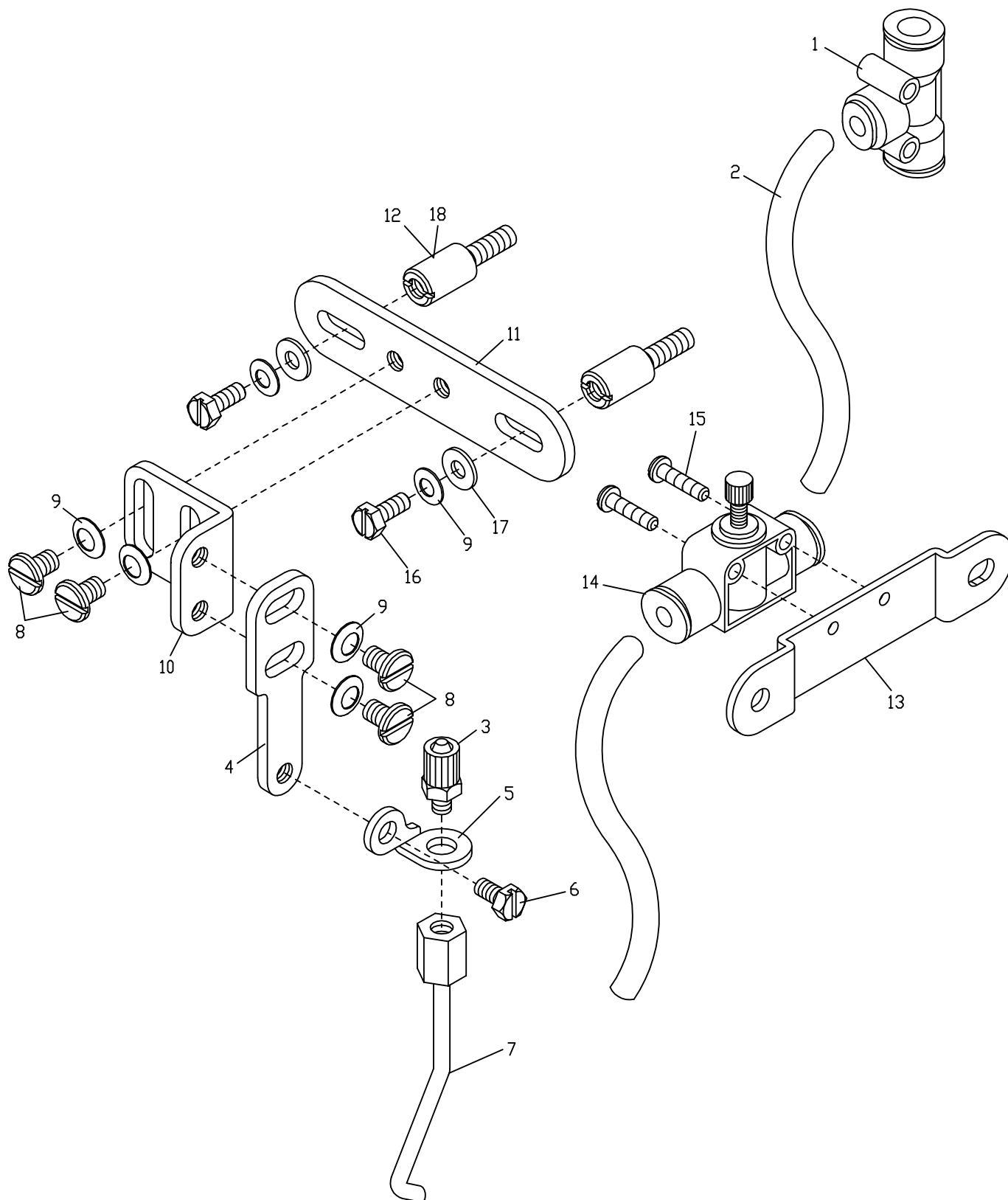
STE (FT6500 / FT7000 機型用)

序號	22	32
用量	2	1

STE03 (FTD7000 機型用)

序號	31	32
用量	2	1

9. WPC / WPC02 吹氣式撥線裝置 Air-Wipe Components



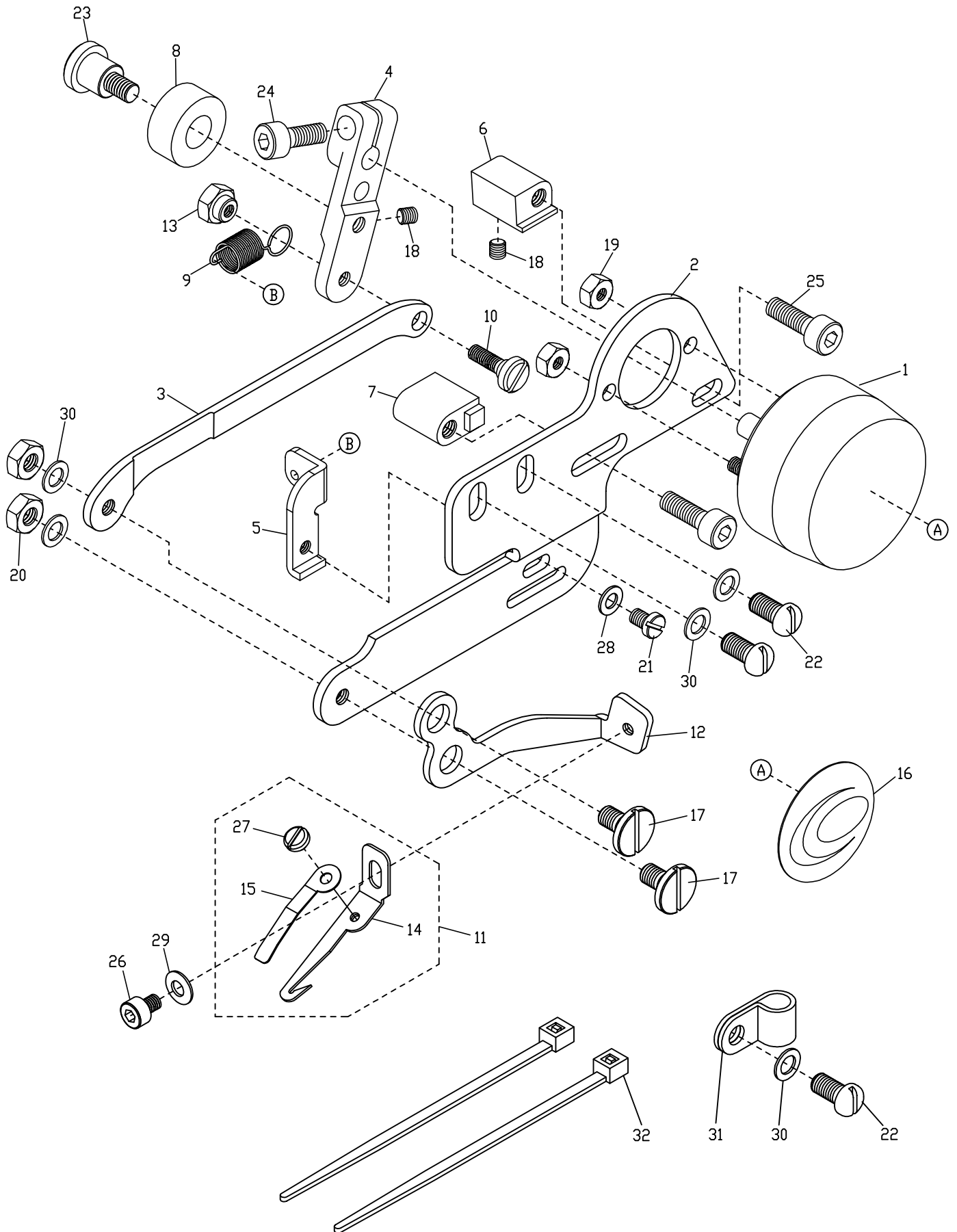
9.WPC / WPC02 吹氣式撥線裝置 Air-Wipe Components

序號 Ref. No.	物料編號 Parts No.	名稱 Description	單位用量 Amt.Req.
1	4WPC000101	T 型管接頭 T Connector -----	1
2	4WPC000102	空氣管 Air Tube -----	2
3	4WPC000103	接頭 Controller -----	1
4	4WPC000104	支持臂 Holder Arm -----	1
5	4WPC000105	支架 Holder Bracket -----	1
6	8MK04280507A	螺絲 Screw (WPC0106 M4-0.7*5) -----	1
7	4WPC000107	吹氣管 Blow Tube -----	1
8	8MB04280608A	螺絲 Screw (UTB0130 M4-0.7*6) -----	4
9	90DW040	皿型墊圈 Dick Washer -----	6
10	4WPC000110	基板座 Connecting Bracket -----	1
11	4WPC000111	支架 Knife Holder Bracket -----	1
*12	4STB020122	螺樁 Stud -----	2
13	4WPC0001131	支架 Holder Bracket -----	1
14	4WPC000114	節流閥 Speed Controller -----	1
15	8MC03201306D	螺絲 Screw (WPC0115 M3-0.5*12.5) -----	2
16	8MK04281007A	螺絲 Screw (FT0217 M4-0.7*10)-----	2
17	90PW040	墊圈 Spring Washer -----	2
**18	4STB030122	螺樁 Stud -----	2

* : WPC 用

** : WPC02 用 (CTD9000 / CTD9711 / FTD7000 / CX2000 / CXD2000 / CXM2000 / CXD2711機型)

10. WPH01 電控式撥線裝置 WPH01 Thread-Wipe Components



10. WPH01 電控式撥線裝置 WPH01 Thread-Wipe Components

序號 Ref.No.	物料編號 Parts No.	名稱 Description	單位用量 Amt. Req.
1	4WPG0101011	磁力線圈 Wiper Solenoid -----	1
2	4WPH010102	支架 Solenoid Support -----	1
3	4WPG0101032	連桿 Arm -----	1
4	4WPG010104	驅動臂 Driving Lever -----	1
5	4WPG010105	支架 Solenoid Support -----	1
6	4WPG010106	限動塊 Stop Block -----	1
7	4WPG010107	限動塊 Stop Block -----	1
8	4WPG010108	減震墊 Rubber cushion -----	1
9	4WPG010109	彈簧 Spring -----	1
10	4WPG010110	螺樁 Stud (WPG0110) -----	1
11	4WPG01A0111	抓線鉤組 Hook Asm -----	1
12	4WPH010112	連桿 Arm -----	1
13	4WPG010113	螺帽 Nut -----	1
14	4WPG010114	抓線鉤 Hook -----	1
15	4WPG010115	夾簧 Latch Spring -----	1
16	66485-10	銘板 Plate -----	1
17	8MB04280810G	螺樁 Stud (WPG0117) -----	2
18	8MN03200300A	螺絲 Screw (CT0115 M3-0.5*3) -----	2
19	8MA03200306A	螺帽 Nut (FTB0111 M3-0.5*3) -----	2
20	8MA04280307A	螺帽 Nut (CT0238 M4-0.7*3) -----	2
21	8MB03200606K	螺絲 Screw (CT1207 M3-0.5*6) -----	1
22	8MB04280807K	螺絲 Screw (CT0215 M4-0.7*8) -----	3
23	8MB04281210E	螺樁 Stud (WPG0123) -----	1
24	8MM04281007A	螺絲 Screw (FT0203 M4-0.7*10) -----	1
25	8MM04281207A	螺絲 Screw (CT0202 M4-0.7*12) -----	2
26	8MM03200406A	螺絲 Screw (WPB0116 M3-0.5*4) -----	1
27	8SB24560205A	螺絲 Screw (SH1011 3/32"-56*2) -----	1
28	90PW030	墊圈 Washer -----	1
29	90DW030	碟形墊圈 Disk Washer -----	1
30	90DW040	碟形墊圈 Disk Washer -----	5
31	4UTD000254	線夾 Cord Clamp -----	1
32	4UTB020306	束線 Plastic Binding Wire -----	2